

VMMX-10M/1000M-SMT

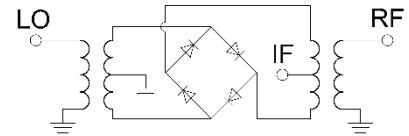
FEATURES

- ◆ Frequency Range: 10~1000MHz
- ◆ Conversion Loss: 8.8dB Max.



TYPICAL APPLICATIONS

- ◆ Military
- ◆ Testing
- ◆ Commercial



ELECTRICAL SPECIFICATIONS

Zo=50 Ohm, LO=+4 dBm

Parameter	Conditions	Min.	Typ.	Max.	Unit
Frequency Range	-	10	-	1000	MHz
Conversion Loss	10~1000MHz	-	-	8.8	dB
Isolation (L-R)	10~1000MHz	37	47	-	dB
Isolation (L-I)	10~1000MHz	13	24	-	dB
P1dB	10~1000MHz	-	3	-	dBm
IP3	10~1000MHz	-	16	-	dBm

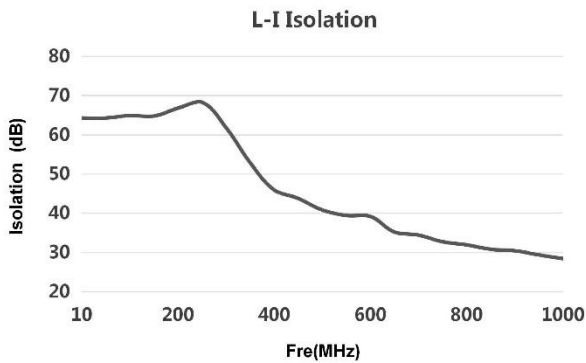
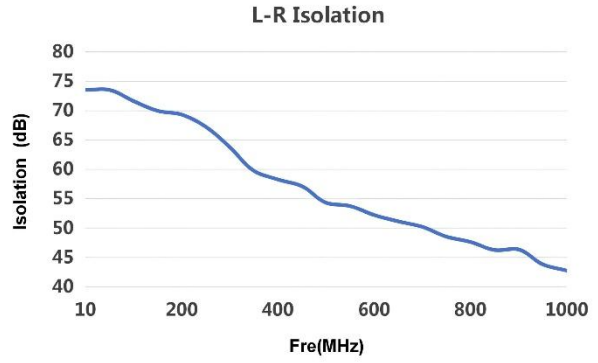
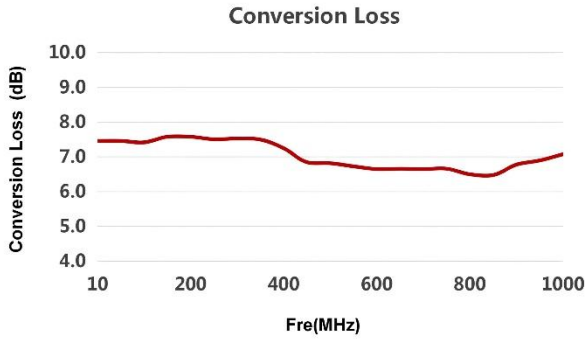
Notes:

- 1: Specifications guaranteed over the operating temperature range.
- 2: Touchstone format SNP file is available while it is necessary.

MAXIMUM RATINGS

Parameter	Min.	Max.	Unit
RF Power	-	0.05	Watt
DC Current	-	10	mA
Operating Temperature Range	-40	85	°C
Storage Temperature Range	-55	100	°C
Moisture Sensitivity Level	-	1	-

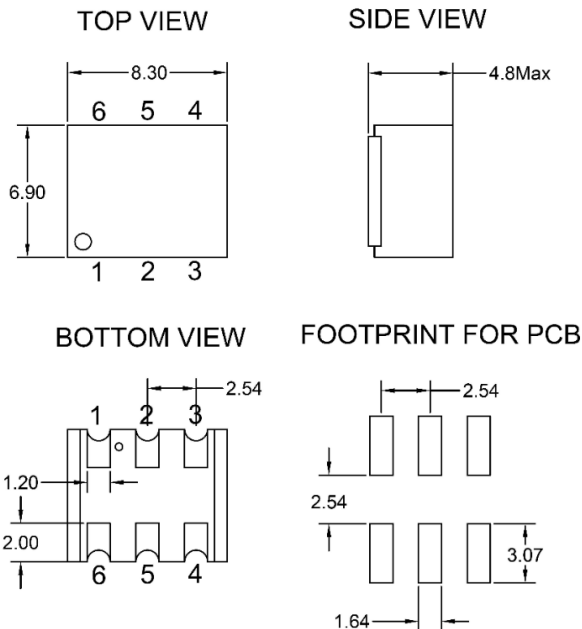
TYPICAL PERFORMANCE CURVES



Typical Performance Data

Frequency (MHz)		Conversion Loss(dB)	Isolation L-R(dB)	Isolation L-I(dB)
RF	LO	LO(+4dBm)	LO(+4dBm)	LO(+4dBm)
10.00	40.00	7.46	73.51	64.32
25.00	55.00	7.42	71.63	64.94
55.00	85.00	7.58	69.98	64.81
70.00	100.00	7.58	69.32	66.82
100.00	130.00	7.51	67.25	68.30
172.00	202.00	7.53	63.77	61.85
244.00	274.00	7.50	59.74	52.92
316.00	346.00	7.25	58.26	45.93
352.00	382.00	6.85	57.11	43.77
424.00	454.00	6.82	54.30	40.83
460.00	490.00	6.73	53.72	39.42
532.00	562.00	6.65	52.21	39.17
604.00	634.00	6.66	51.14	35.22
640.00	670.00	6.65	50.20	34.43
712.00	742.00	6.66	48.53	32.74
748.00	778.00	6.50	47.62	31.94
820.00	850.00	6.48	46.25	30.82
856.00	886.00	6.78	46.33	30.44
928.00	958.00	6.90	43.81	29.37
1000.00	1030.00	7.08	42.73	28.42

OUTLINE DRAWING



PIN No.	Definition
3	IF
4	RF
6	LO (+4dBm)
1,2,5	GND

Notes:

- 1: Dimensions in mm.
- 2: Tolerance $\pm 0.3\text{mm}$ unless otherwise noted.
- 3: 3D model in STEP format is available.