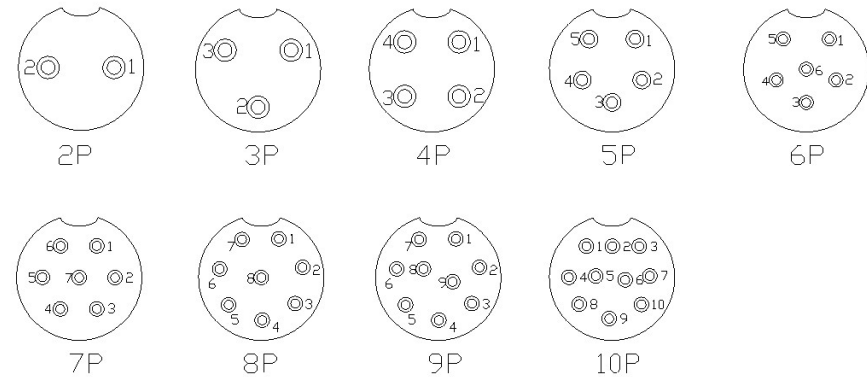
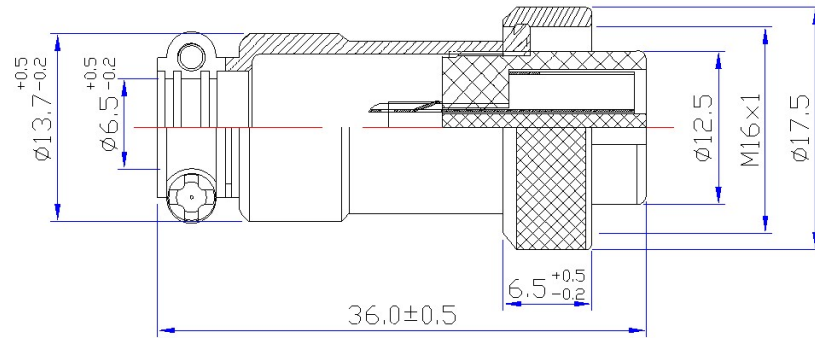




REV	DESCRIPTION	DWN	DATE	APPROVEN
A	FIRST ISSUE	XIEFENG	2022/06/15	Mr.chen



Material and specifications

Coupling Threaded coupling
 Shell material Zinc alloy with Nickel Plate
 Insert material bakelite
 Contact material copper Silver Plate/Nickel
 Termination Solder
 Mating cycle 500
 Cable diameter -20°C +85°C

Technology parameter									
NO. of contacts	2	3	4	5	6	7	8	9	10
Rated current (A)	7	7	7	7	5	5	5	5	5
Operation limit voltage(AC.V.rms)	220	220	125	125	125	125	125	125	125
Withstanding voltage(AC.V.rms) I minute	1500	1500	1500	1500	1500	1500	1500	1500	1500
Insulation resistance (mΩ)	2000	2000	2000	2000	2000	2000	2000	2000	2000
Contact resistance (mΩ)	3	3	3	4	5	5	4	5	5
Solder cup mouth aperture	φ1.4	φ1.4	φ1.4	φ1.2	φ0.8	φ0.8	φ0.8	φ0.8	φ0.8
Solder inter diameter	φ2.5	φ2.5	φ2.5	φ2.0	φ1.2	φ1.2	φ1.2	φ1.2	φ1.2

NOTE:		Tolerance	UNLESS OTHERWISE SPECIFIED TOLERANCES IN INCHES ARE 0.5-8MM±0.10MM 8-30MM±0.15MM 30-120MM±0.20MM	VOMAC		WWW.VOMAC.COM.CN	
DRAWN: XIEFENG	DATE: 22/06/15					+86 15718014206	
CHECKED:		VIEW		Name: GX16 FEMALE CONNECTOR			
APPROVALS:		UNIT	MM	Product NO. VM-GX16-M-nP			REV A
		SCALE	1 : 1	CAD FILE H/companydrawings/BD			SHEET: 1 OF 1