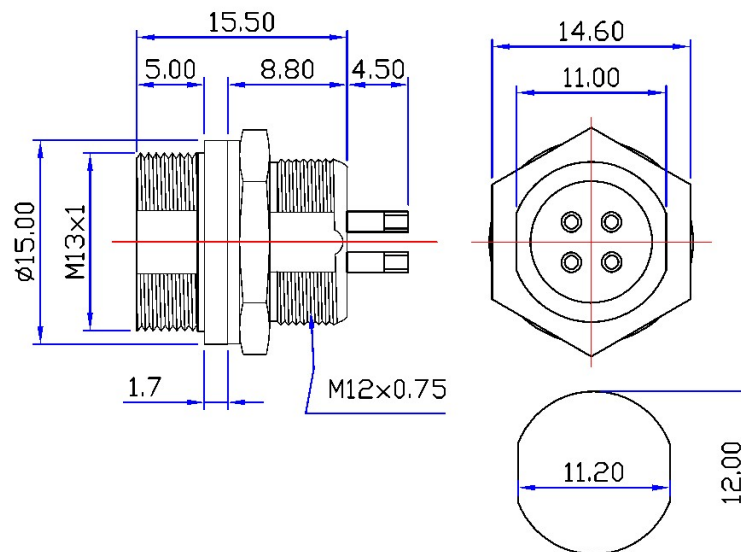
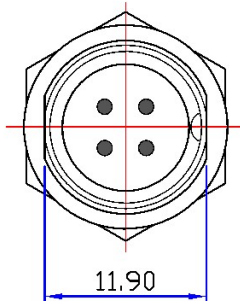
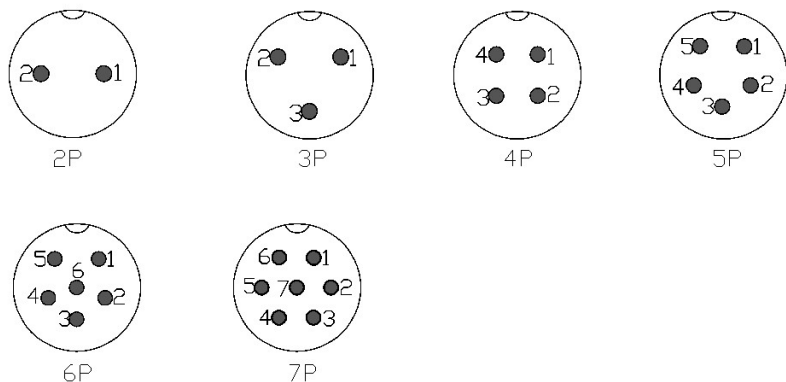




REV	DESCRIPTION	DWN	DATE	APPROVEN
A	FIRST ISSUE	XIEFENG	2022/06/15	Mr.chen



Material and specifications

Coupling	Threaded coupling
Shell material	Brass with Nickel Plate
Insert material	bakelite
Contact material	copper Silver Plate/Nickel
Termination	Solder
Mating cycle	500
Cable diameter	-20°C +85°C

Technology parameter						
NO.of contacts	2	3	4	5	6	7
Rated current (A)	5	5	5	5	5	5
Operation limit voltage(AC.V.rms)	200	125	125	125	125	125
Withstanding voltage(AC.V.rms) 1 minute	1500	1500	1500	1500	1500	1500
Insulation resistance(mΩ)	2000	2000	2000	2000	2000	2000
Contact resistance (mΩ)	5	5	5	5	5	5

NOTE:		Tolerance	UNLESS OTHERWISE SPECIFIED TOLERANCES IN INCHES ARE 0.5-8MM±0.10MM 8-30MM±0.15MM 30-120MM±0.20MM	VOMAC	WWW.VOMAC.COM.CN	
DRAWN: XIEFENG	DATE: 22/06/15				+86 15718014206	
CHECKED:		VIEW		Name: GX12 MALE CONNECTOR		
APPROVALS:		UNIT	MM	Product NO. VM-GX12-M-nP		REV A
		SCALE	1 : 1	CAD FILE H/companydrawings/BD		SHEET:1 OF 1